



Photographeur : Technal Rights - Architect : GREMILLET et FALK



Photographeur : Paul Martinez  
Architect : ATENA SARL d'Architecture



Photographeur : Technal Rights - Architect : Briton & Claude



Photographeur : Serge Demally  
Architect : Soullairac Cabinet d'Architecture



Photographeur : Xavier Benony - Architect : Daniel Guillemot



# TITANE

## DOORS

Intensive-use doors for public buildings,  
with elliptical shapes, 63 mm module  
and reinforced security options.



Hydro Building Systems International: 270 rue Leon Joulin • B.P.63709 • 31037 Toulouse cedex 1- France  
T 00 33 (0)561 312 626 • F 00 33 (0)561 312 600 • [www.technal-int.com](http://www.technal-int.com)

TECHNAL is a Hydro brand





Photographer : Xavier Boymond - Architect : Chabanne Atelier

## Intensive-use door...

### Residential buildings

- Access control with electromagnetic lock combined with a 3 point lock
- Concealed electromagnetic systems (articulations and door closer)
- Technical mullion designed to receive the various access control or intercom systems available on the market.

### Public buildings

- Intensive use door, 1 or 2 leaves, inward and outward opening, independent leaves, standard finger protection.
- Integration possible into shop fronts or façades.
- Threshold-less door for bump-free access, suitable for areas frequented by people with reduced mobility

### Schools

- Version with reinforced finger protection
- On the pivot side, a rounded section is added to the opening frame section
- On the lock side, a tubular EPDM gasket is clipped onto the opening and fixed frames.



Composite frame with integrated access control system. Opening frame design is extended to fixed parts.

## ...with reinforced security

- Class 2 according european standard EN 1627
- Invisible articulations
- Door-closer embedded in the opening frame transom
- Thin outer glazing gasket fully tamper-proof
- Clipped and screwed outer glazing bead
- Screwed inner glazing bead for delay in burglary and vandalism

## 63 mm rounded profiles for doors and fixed parts

### 63 mm

- Elliptical opening frame sections
- Slim fixed frames lines (128 mm)
- Fully concealed mechanism

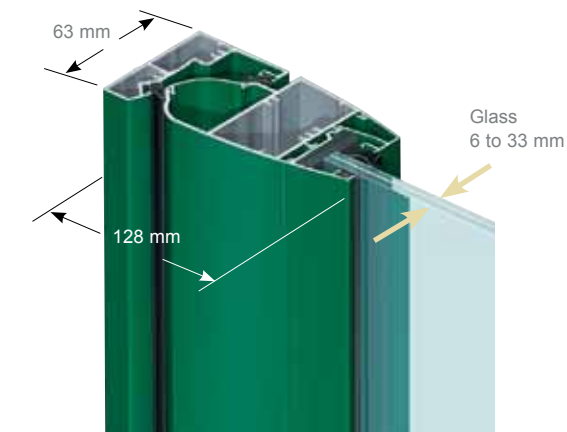
### Large dimensions

- Adapted to large dimensions: 2.50 m high and 1.30 m wide per leaf
- Weight: 140 kg per leaf, 6 to 33 mm safety glass

### Patented system

Invisible articulations:

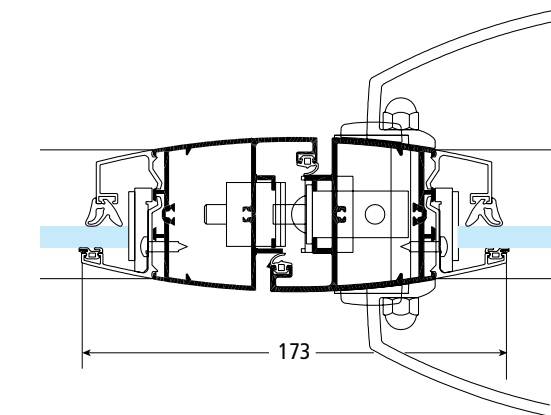
- Bottom part: built-in pivot socket fastened to the floor by plugs. The ball of the socket assembly engages the corner piece in the opening frame, which has a self-lubricating bearing pin.
- Top part: case with adjustable shaft that is fixed by an insert in the fixed frame



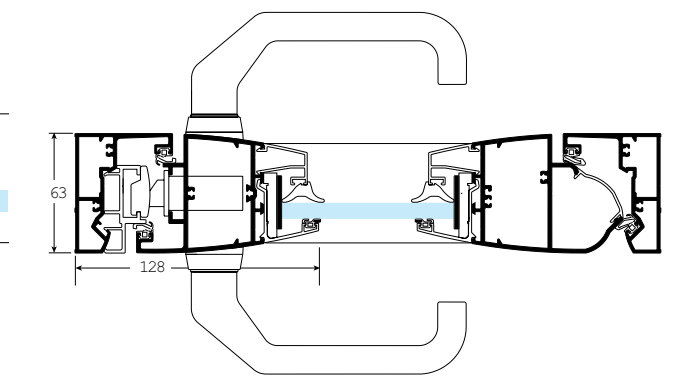
Shear magnetic lock, 3 points ring lock

## Locks

- Electromagnetic locks embedded into opening and fixed frame for resistance to tearing: 300 kg per lock, 750kg per shear magnetic lock
- Technal locks:
  - 1, 2 or 3 point locks, latch bolt and lock plate
  - 3 points tipping over bolt lock
  - Fireman espagnolette
  - Electric lock
  - Push button
- Lever handle with finger plate, specific pull handle or vertical push



Horizontal cross section, 2 leaves central part, shear lock and 3 point lock



Vertical cross section, 1 leaf, opening out with lock

## Performances

### Résistance

- Compliance with european standards EN 9747-2 (vertical loads) 100 daN, EN 9748-2 (twist), EN 9747-2 (soft body shocks) 150 joules.

### Endurance

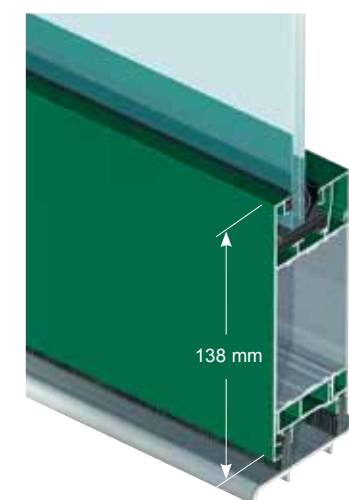
- Endurance test as per EN 1191 standard method: class 8 of EN 642 scale, i.e. 1 million cycles.

### Burglar resistance

- Class 2 of EN 1627 standard.

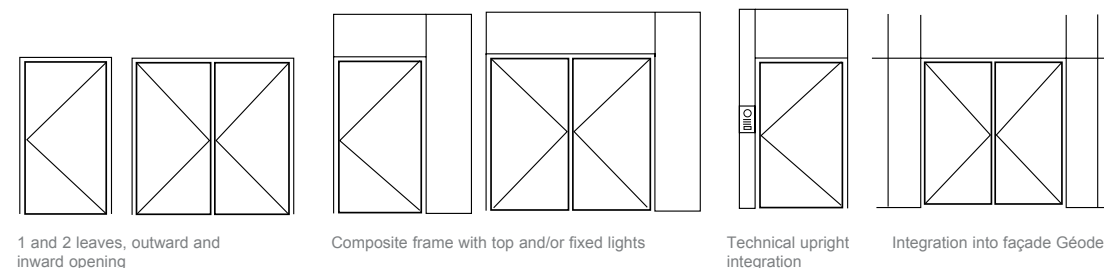
### Weather-proofing performance

- Double barrier of continuous brush gaskets
- Reinforced weather-proofing with tubular threshold



Plinth and threshold

### Applications



Detail on finger protection system



Specific handle